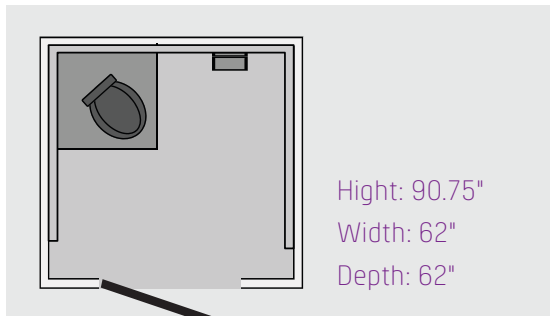


# JTG ADA Handicapped Unit

The extra wide doorway allows easy wheelchair access. The interior features sturdy, reinforced safety bars for support during transfer from wheelchair to toilet. The added features and large interior also make the ADA perfect for the elderly and parents with small children or strollers.

The ADA Handicapped Accessible Unit is 100% ADA compliant. Its door size (height and width), handrails (height and width), interior turning radius, door closing speed, ramping requirements and direct side transfer from wheelchair to seat all comply with ADA requirements.



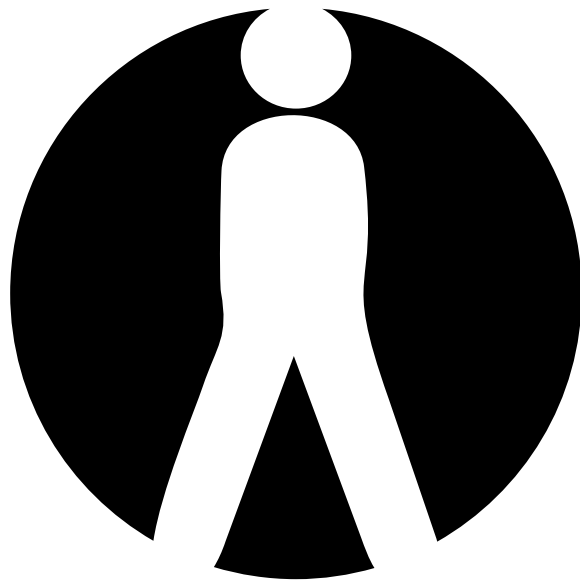
## Features & Specifications

- ▶ Wheelchair accessible
- ▶ Door mounted mirror and handle
- ▶ Large seat for comfort
- ▶ Interior lock
- ▶ 100% ADA Compliant
- ▶ Translucent roof for improved lighting
- ▶ Toilet paper dispenser
- ▶ Interior Safety Bars
- ▶ Outside occupancy indicator



**JOHN TO GO**  
When you need it. Where you need it.

**T.** 845.362.2300 **F.** 845.362.4622  
**E.** [info@johntogo.com](mailto:info@johntogo.com)  
**W.** [www.johntogo.com](http://www.johntogo.com)



877.564.6977  
johntogo.com  
info@johntogo.com